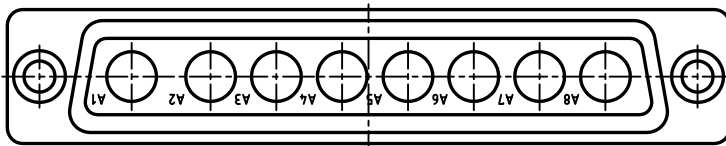
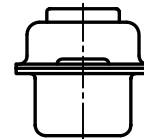
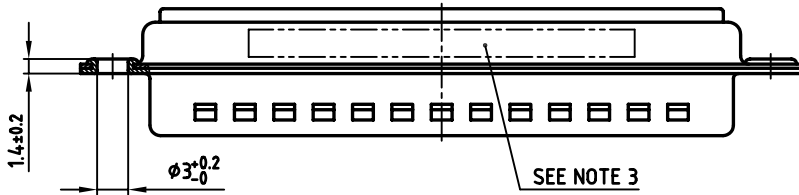
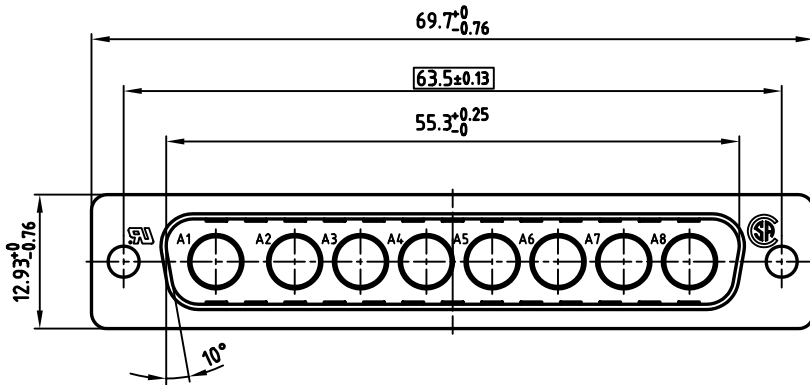
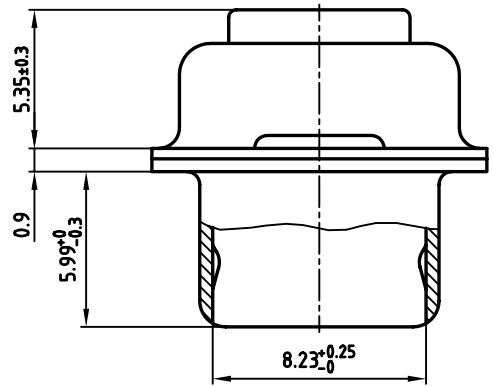


used for: D-SUB COMBINATION

5:1



NOTES:

1. METALSHELLS: STEEL; TIN PLATED
2. INSULATORS: PBTP/GF UL 94 V-0; BLACK
3. CONNECTOR IS PART MARKED: PART NO: CONEC Y/WW
4. = CRITICAL DIMENSION

Directive 2002/95/EC
 "RoHS"
 Compliant

APPROVAL # FREIGABE # DEBLOCAGE # AUTORIZACION # APPROVAL	APPROVAL # FREIGABE # DEBLOCAGE # AUTORIZACION # APPROVAL
CUSTOMER APPROVAL DATE:	
NAME:	TITLE:
COMPANY NAME:	
APPROVAL # FREIGABE # DEBLOCAGE # AUTORIZACION # APPROVAL	APPROVAL # FREIGABE # DEBLOCAGE # AUTORIZACION # APPROVAL

THIS DRAWING MAY NOT BE COPIED OR REPRODUCED IN ANY WAY, AND MAY NOT BE PASSED ON TO A THIRD PARTY, WITHOUT WRITTEN PERMISSION. OWNERSHIP AND COPYRIGHT OF CONEC GmbH. DO NOT ALTER CAD DRAWING BY HAND

rev.	description	date	name

tolerance		scale:	2:1 (5:1)	
	dim. in mm	material:	SEE NOTES	
1997	date	name	D-SUB COMBINATION MALE 8W8P	
drawn	29.07.	Barcinski		
appd.	29.07.	Mickenbecker		
norm				
d-old			dwg no:	AutoCAD/REL.13 DIN-A
CONEC [®]			16K11BLA sh: 1/1	
			part no: 3008W8PXX99A10X	